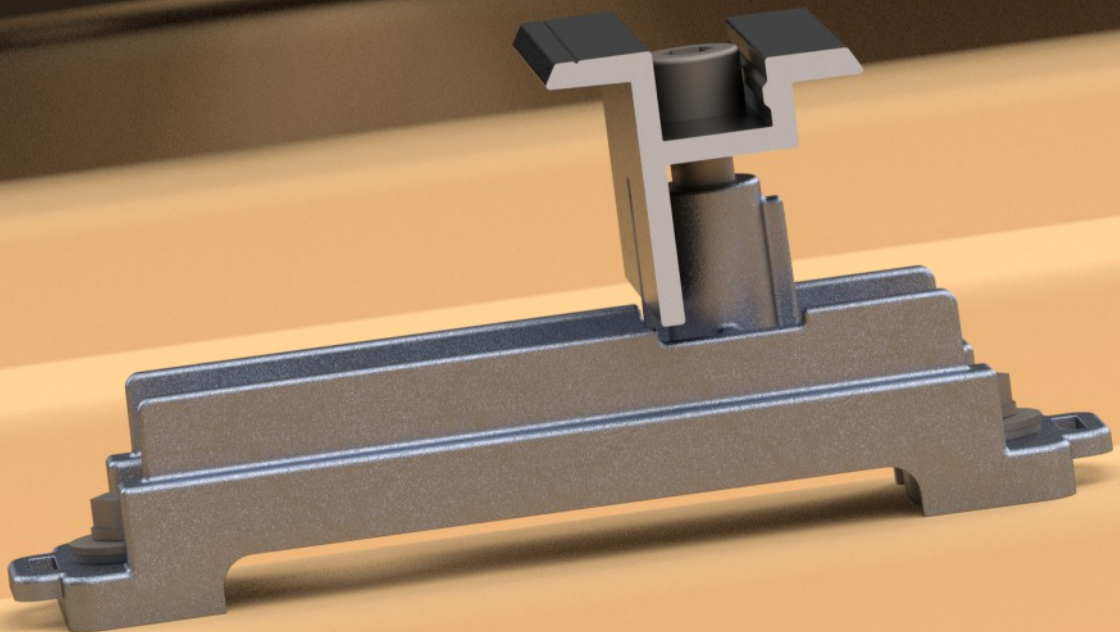


# PV mounting system for trapezoidal metal roofs

**Trap/FIX**  
*Smarter than the others*



## We put the installer first

- + Easy module installation with patented insertion clamp
- + Innovative rooftop mounting screw workaround
- + Module installation from top to bottom
- + Tension-free module attachment
- + Integrated cable connection
- + ...and much more

# TrapFIX - Smarter than the others



## Universal insertion clamp (patent pending)

- + Clamps fitted at the module edge
- + Tension-free module installation
- + Universal: edge/centre/30–40 mm

## Asymmetrical design

- + Allows 180° rotation to bypass roof mounting screws

## Through hole

- + Permits extremely compact stacking
- + Low storage and transportation costs

## Optimiser/microinverter interface

- + Optimisers can be neatly and securely positioned using an additional plate (optional)

## Bolt (patent pending)

- + Prevents modules from slipping
- + Allows precision mounting with a gauge
- + Accepts module tolerances
- + Allows module installation from top to bottom
- + Integrated M8 thread for sturdy clamp connection

## Cable tie fixer

- + Simple and neat cable installation at both ends

